



**RC472304**  
**Vario refrigerator 400 series**  
**With fresh cooling 0 °C**  
**Fully integrated**  
**Niche width 76.2 cm, Niche height 213.4 cm**

Stainless steel interior with solid anthracite aluminium elements  
 Warm white and glare-free LED light spots  
 Opening assist for door with two options:  
 1. Push-to-open function for integration into handleless furniture front  
 2. Pull-to-open function to facilitate opening the door using a handle  
 The drawers in the RC and RF models are positioned at the same height. With side-by-side installation, the glass shelves and door racks can be aligned on the same level  
 Flat stainless steel inner door, full-length  
 Almost invisible rail system for shelves and door racks for flexible positioning  
 Solid anthracite aluminium door racks  
 1 fresh cooling drawer 0 °C with temperature control from -1° C to +3 °C and 1 fresh cooling drawer with manually adjustable humidity  
 TFT touch display  
 Net volume 463 litres

**Handling**  
 TFT touch display operation.  
 Clear text display.

**Technical Features**  
 Dynamic cold air distribution.  
 Automatic defrosting with defrost water evaporation.  
 Cushioned door closing system.  
 Activated charcoal air filter.  
 Rest mode certified by Star-K.  
 When rest mode is active, the appliance can only be opened using a handle.  
 Open-door and malfunction alarm.  
 Home network integration for digital services (Home Connect) wireless via WiFi.  
 The use of the Home Connect functionality depends on the Home Connect services, which are not available in every country. For further information please check: home-connect.com.

**Cooling**  
 No-Frost technology with fast cooling.  
 Temperature adjustable from +2 °C to +8 °C.  
 4 safety glass shelves, white glass, 3 of which are individually adjustable in height.  
 1 shallow, fully extendable drawer with transparent front.  
 4 brilliant LED light spots with warm white, glare-free light within cooling area and drawers.  
 Flat door rail system with fully flexible positioning of door racks.  
 4 height-adjustable door racks, 1 of which is extra deep.  
 Net volume 416 litres.

**Fresh cooling 0 °C**  
 1 large, fully extendable fresh cooling 0 °C drawer with transparent front, illuminated.  
 Temperature control via central TFT display, temperature can be adjusted from -1 °C to +3 °C.  
 Ideal for meat, fish and poultry.  
 Net volume 47 litres.

**Fresh cooling**

**Characteristics**  
**Built-in / Free-standing**  
 Built-in  
**Number of compressors**  
 1  
**Number of independent cooling systems**  
 1  
**Width of the product (mm)**  
 756  
**Height (mm)**  
 2125  
**Depth of the product**  
 608  
**Net weight (kg)**  
 176,369  
**Required niche size for installation (HxWxD)**  
 2134.0 x 762.0 x 610  
**Door panel options**  
 Not possible  
**Door hinge**  
 Right reversible  
**Number of Adjustable Shelves in fridge compartment**  
 3  
**Shelves for Bottles**  
 No  
**Frost free system**  
 Full  
**Interior ventilator**  
 Yes  
**Reversible Door Hinge**  
 Yes  
**Length electrical supply cord (cm)**  
 300  
**Noise level (dB)**  
 40  
**Multi-Flow Air Tower**  
 Yes  
**Fast cooling switch**  
 Yes  
**Fast freezing switch**  
 No  
**Carbon Air Filter**  
 No  
**Temperature Controlled Drawer**  
**Humidity Control Drawer**  
 Yes  
**Number of Door Bins - Refrigerator**  
 4  
**Door bin adjustability - Refrigerator**  
 No  
**Tilt-out door bins in fridge**  
**Number of Gallon storage**  
 1  
**No. of shelves in fridge**  
 4  
**Number of shelves - Freezer**  
**Shelf Adjustability - Freezer**  
 No  
**Capacity of Water Tank [l]**

**Consumption and connection features**  
**Connection Rating (W)**  
 300  
**Current (A)**  
 10  
**Voltage (V)**  
 220-240  
**Frequency (Hz)**  
 50-60  
**Energy consumption (kWh)**  
**Freezing capacity (kg)**  
**Storage Period in Event of Power Failure (h)**  
**Approval certificates**  
 CE, VDE  
**Universal Product Code**  
**Color / Material body**  
**Colour.Material door**  
**Door panel options**  
 Not possible  
**Noise level (dB)**  
 40  
**Total annual energy consumption (kWh)**  
**Energy Star Qualified**  
 No  
**Length of electrical supply cord (in)**  
**Required cutout/niche size for installation (in)**

1 fully extendable fresh cooling drawer with transparent front, illuminated.  
 Humidity can be adjusted manually.  
 Ideal for fruit and vegetables.

**Consumption data**  
 Energy efficiency class A++ at a range of energy efficiency classes from A++ to D.  
 Energy consumption 141 kWh/year.  
 Noise level 40 dB (re 1 pW).

**Planning notes**  
 Flat hinge.  
 Door hinge right, reversible.  
 Door opening angle of 115°, fixable at 90°.  
 Max. door panel weight 24 kg.

**Connection**  
 Total connected load 0.300 kW.  
 Connecting cable 3.0 m, pluggable.

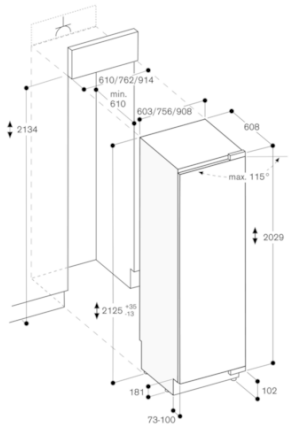
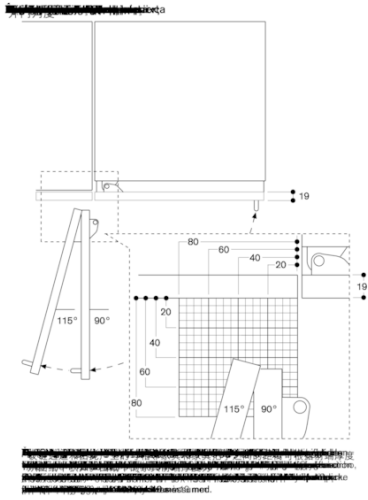
**Color Variants**  
**RC472304**  
**With fresh cooling 0 °C**  
**Fully integrated**

**Included accessories**  
 1 x egg box with lid.

**Optional accessories**  
**RA430100**  
 Storage container with transparent lid, anthracite.

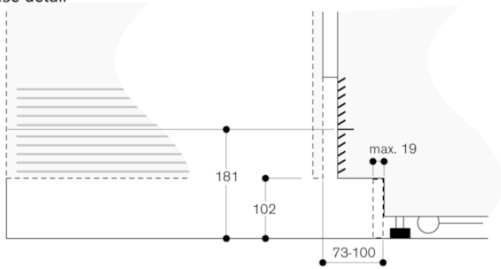
**Installation Accessories**  
**RA421710**  
 Stainless steel door panel with handle  
**RA423140**  
 Side trims, long.  
**RA425110**  
 Handle bar, stainless steel, long  
**RA428710**  
 Stainless steel door panel, handleless  
**RA460000**  
 Accessory for side-by-side installation. Required if appliances are installed handle to handle. Not required if appliances are installed more than 160 mm apart from each other. Included in delivery for RF and RW.  
**RA460013**  
 Additional side heating element 230 V. Required if appliances are installed handle to hinge or hinge to hinge. Not required if appliances are installed more than 160 mm apart from each other.  
**RA460020**  
 Connecting element for vertically split appliance fronts (for a flush front).  
**RA464711**  
 Ventilation grille stainless steel

RC472304  
 Vario refrigerator 400 series  
 With fresh cooling 0 °C  
 Fully integrated  
 Niche width 76.2 cm, Niche height 213.4 cm  
 cm  
 2019-03-21  
 Page 2



The maximum door panel dimensions are based on a clearance of 3 mm.

Base detail



Based on the standard appliance height, the height of the plinth is 102 mm. Maximum plinth thickness 19 mm.

